

Features

-
-

Description

Models

Input Voltage Range	Nominal Discharge Current In(8/20 s)	I _{max}	Up (Max Clamped Voltage Level)	Internal Gas Discharge Tube	Indicator	Rated Load Current	Model Number	Certification

Note:

General Specifications

Parameter	Min.	Typ.	Max.	Notes
μ				

Environmental Specifications

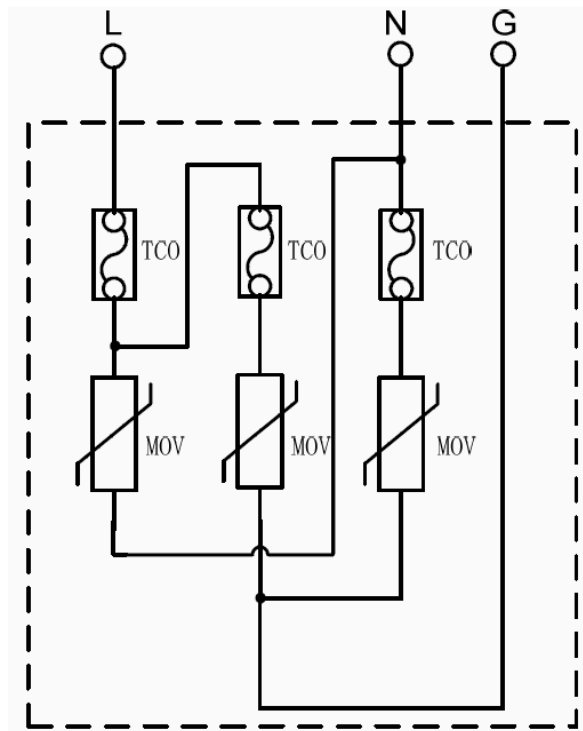
Parameter	Min.	Typ.	Max.	Notes
	◦		◦	
≦	◦		◦	≦
	◦		◦	≦

Safety & EMC Compliance

Safety Category	Standard

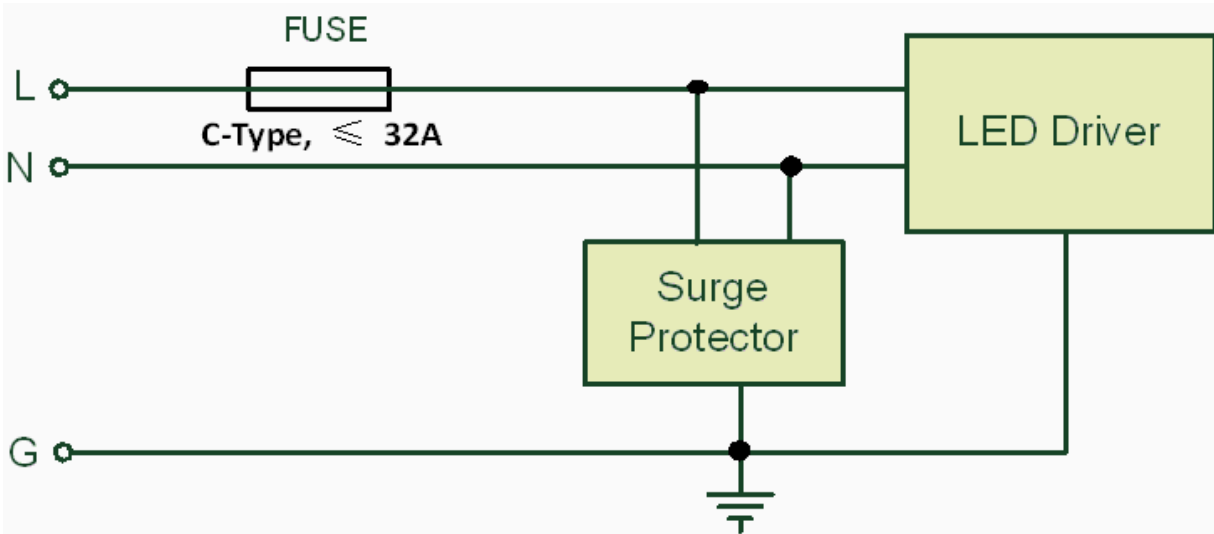
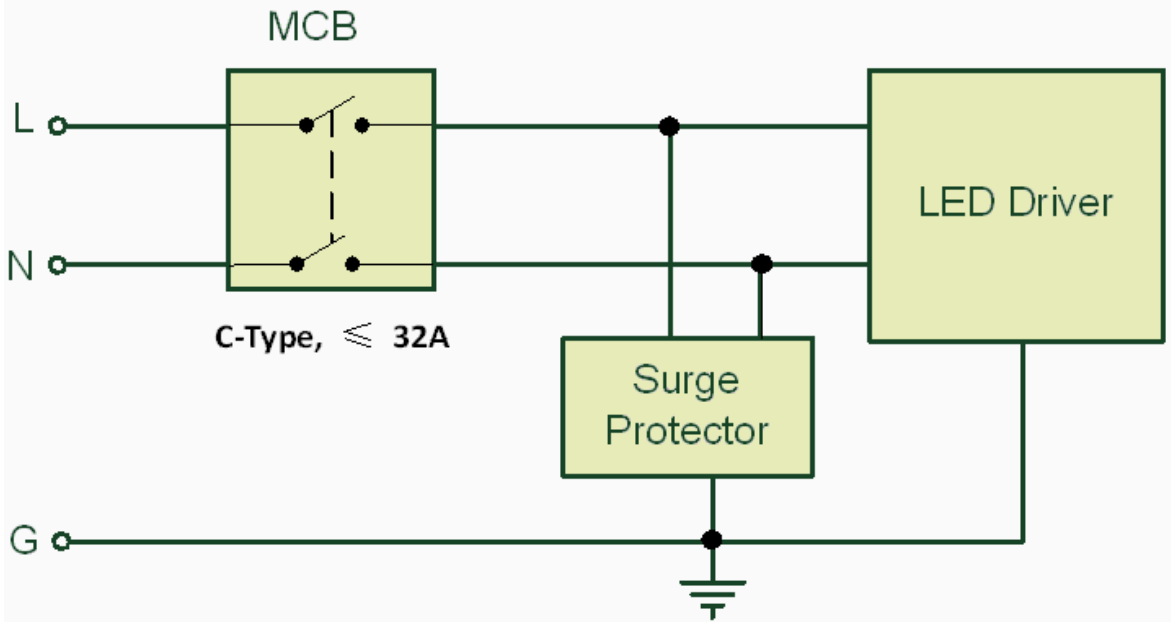
Schematic

PY-20KS10KTTN



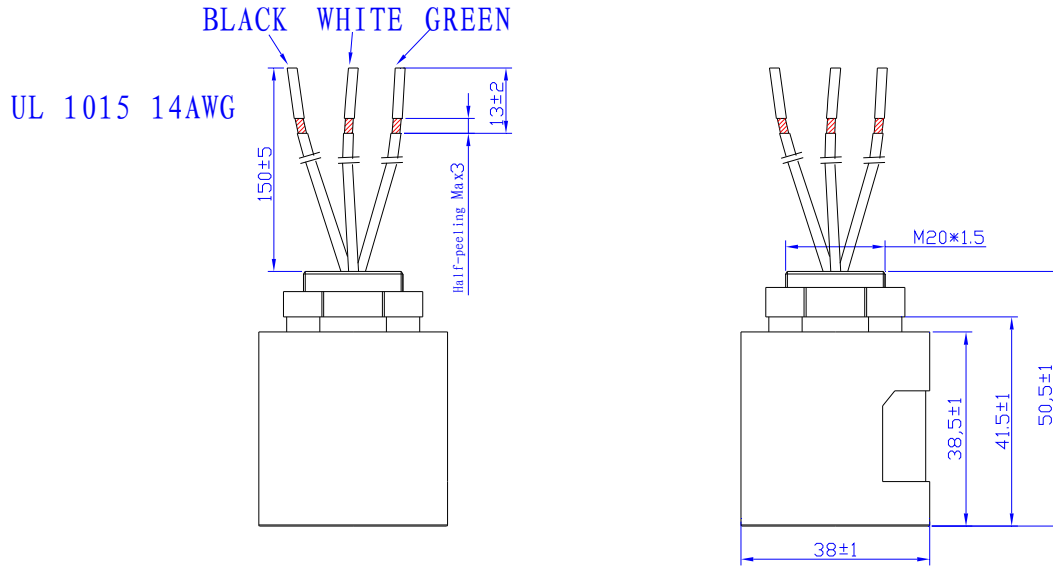
Wiring

PY-20KS10KTTN



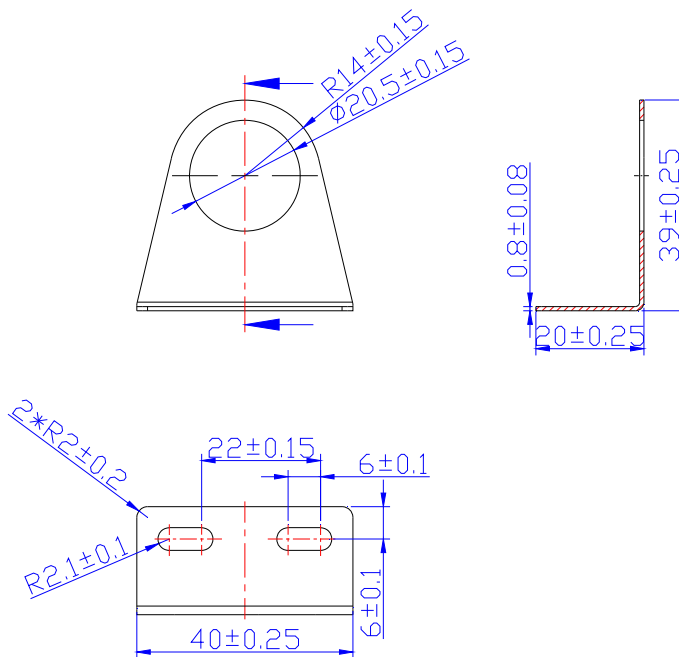
Mechanical Outline

PY-20KS10KTTN



Optional Bracket:

BRU-20KS10KT



Note:

Revision History

Change Date	Rev.	Description of Change		
		Item	From	To